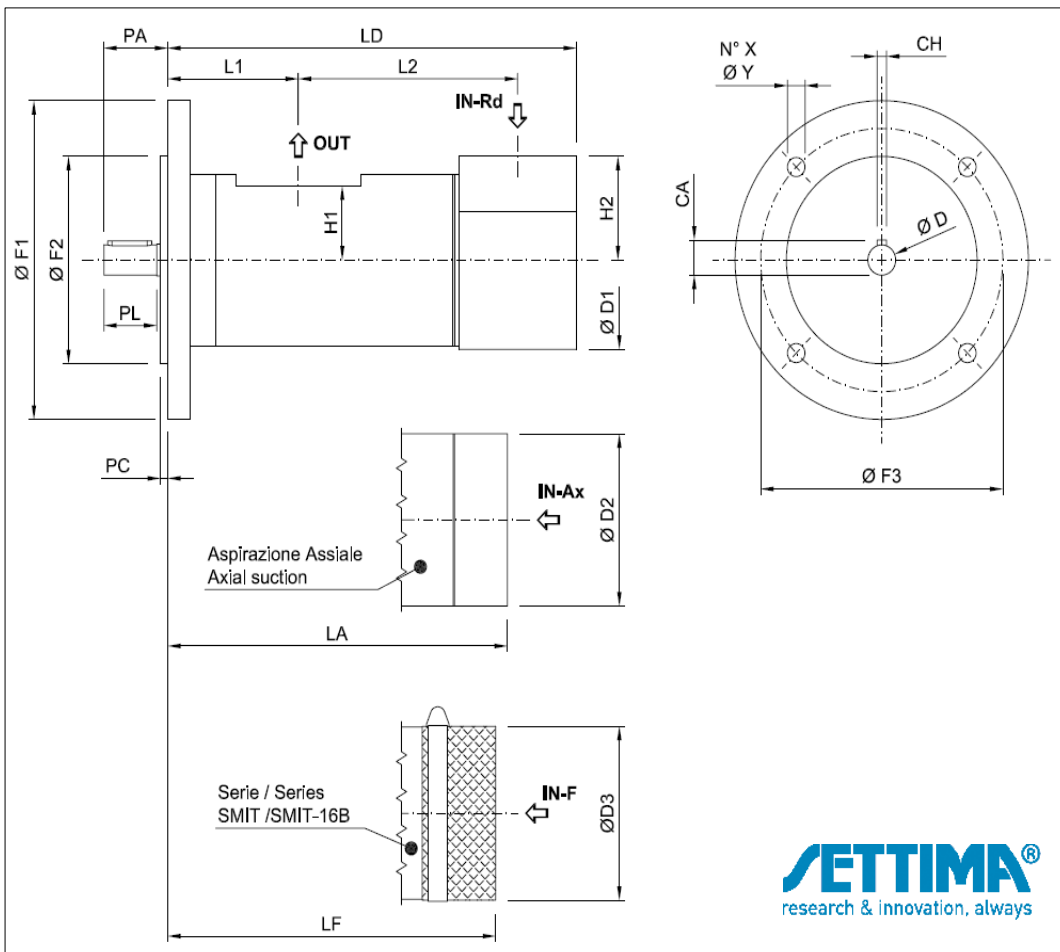
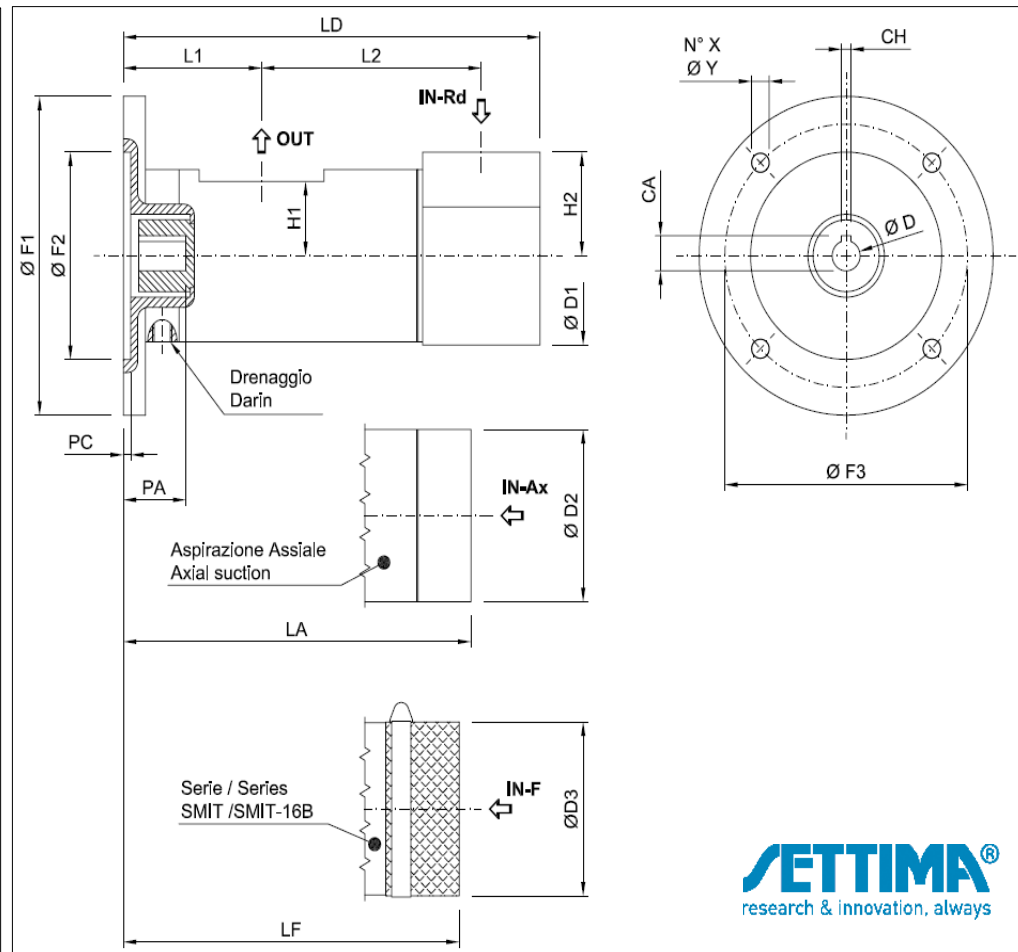


POMPE SMT E SMT-16B



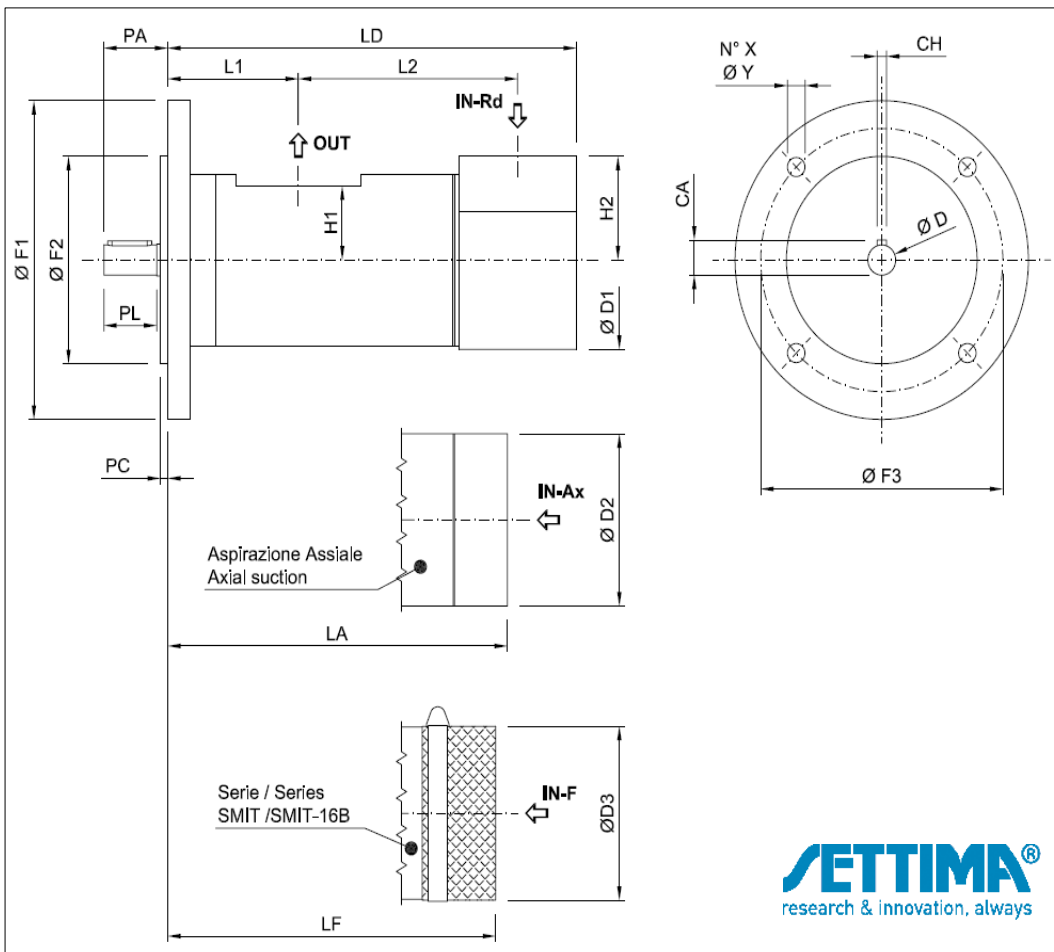
SETTIMA®
research & innovation, always



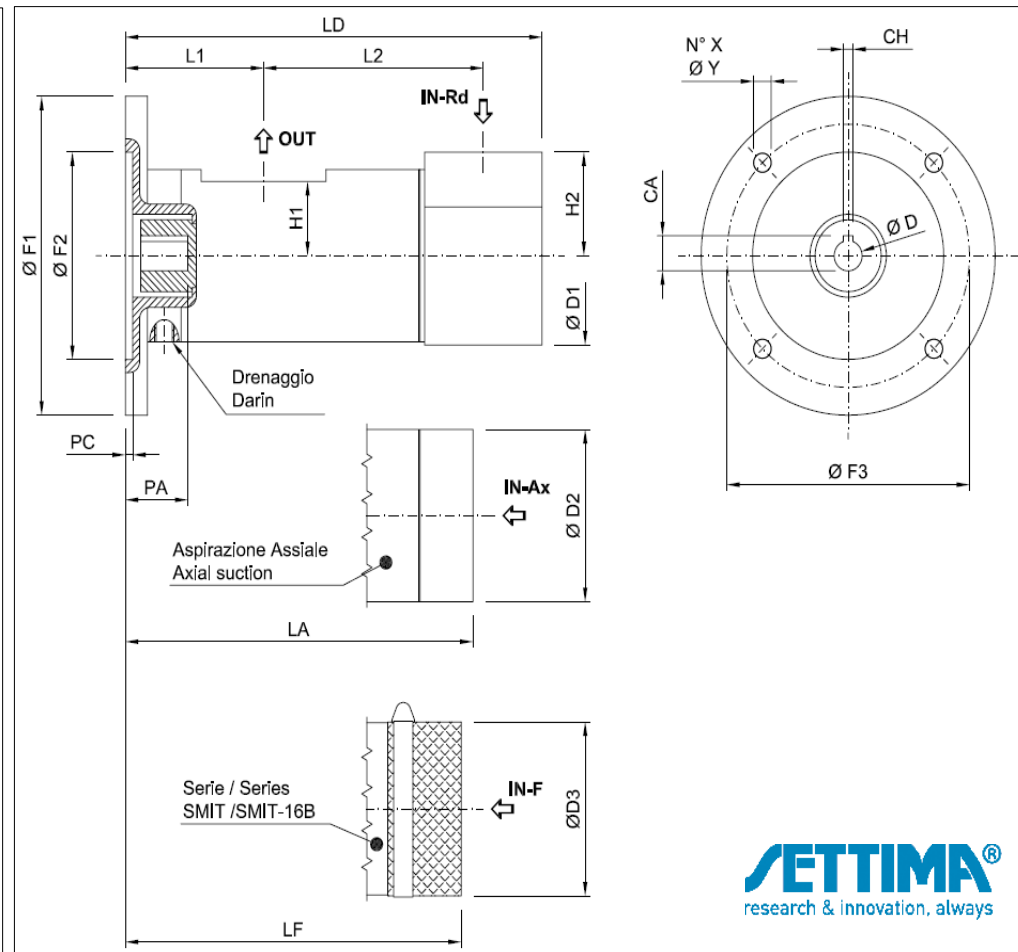
SETTIMA®
research & innovation, always

POMPA	L / Min.	F1	F2	F3	X	Y	PC	D	D1	D2	D3	CA	CH	PA	PL	IN-Rd	IN-Ax	OUT	H1	H2	L1	L2	LD	LA	LF	
GR20_SMT-16B	8-12-15-23	125,0	80,0	103,0	2	11,0	4,5	14,0	59,0	59,0	60,0	16,0	5,0	37,0	30,0	1/2" GAS	1/2" GAS	1/2" GAS	25,0	26,0	53,0	78,5	153,0	134,0	133,0	
GR20_SMT-16B_TM		125,0	80,0	103,0	2	11,0	4,5	14,0	59,0	59,0	60,0	16,0	5,0	37,0	30,0	1/2" GAS	1/2" GAS	1/2" GAS	25,0	26,0	91,5	78,5	191,5	172,5	171,5	
GR20_SMT-16B_AC11-B5		140,0	95,0	115,0	4	9,0	4,0	11,0	59,0	59,0	60,0	12,8	4,2	25,0			1/2" GAS	1/2" GAS	1/2" GAS	25,0	26,0	57,0	78,5	157,0	138,0	137,0
GR20_SMT-16B_AC14-B5		160,0	110,0	130,0	4	9,5	4,0	14,0	59,0	59,0	60,0	16,1	5,2	33,5			1/2" GAS	1/2" GAS	1/2" GAS	25,0	26,0	56,0	78,5	156,0	137,0	136,0
GR20_SMT-16B_AC19-B5		200,0	130,0	165,0	4	11,0	5,0	19,0	59,0	59,0	60,0	21,7	6,5	42,0			1/2" GAS	1/2" GAS	1/2" GAS	25,0	26,0	75,0	78,5	175,0	156,0	155,0
GR20_SMT	8-12-15-23	125,0	80,0	103,0	2	11,0	4,5	14,0	59,0	59,0	60,0	16,0	5,0	37,0	30,0	1/2" GAS	1/2" GAS	1/2" GAS	25,0	26,0	53,0	118,5	193,0	174,0	173,0	
GR20_SMT_TM		125,0	80,0	103,0	2	11,0	4,5	14,0	59,0	59,0	60,0	16,0	5,0	37,0	30,0	1/2" GAS	1/2" GAS	1/2" GAS	25,0	26,0	91,5	118,5	231,5	212,5	211,5	
GR20_SMT_AC11-B5		140,0	95,0	115,0	4	9,0	4,0	11,0	59,0	59,0	60,0	12,8	4,2	25,0			1/2" GAS	1/2" GAS	1/2" GAS	25,0	26,0	57,0	118,5	197,0	178,0	177,0
GR20_SMT_AC14-B5		160,0	110,0	130,0	4	9,5	4,0	14,0	59,0	59,0	60,0	16,1	5,2	33,5			1/2" GAS	1/2" GAS	1/2" GAS	25,0	26,0	56,0	118,5	196,0	177,0	176,0
GR20_SMT_AC19-B5		200,0	130,0	165,0	4	11,0	5,0	19,0	59,0	59,0	60,0	21,7	6,5	42,0			1/2" GAS	1/2" GAS	1/2" GAS	25,0	26,0	75,0	118,5	215,0	196,0	195,0
GR25_SMT-16B		125,0	80,0	103,0	2	11,0	4,5	19,0	65,0	65,0	66,0	21,5	6,0	42,0	36,0	3/4" GAS	3/4" GAS	1/2" GAS	27,5	27,0	72,5	87,0	178,0	178,0	158,5	

POMPE SMT E SMT-16B



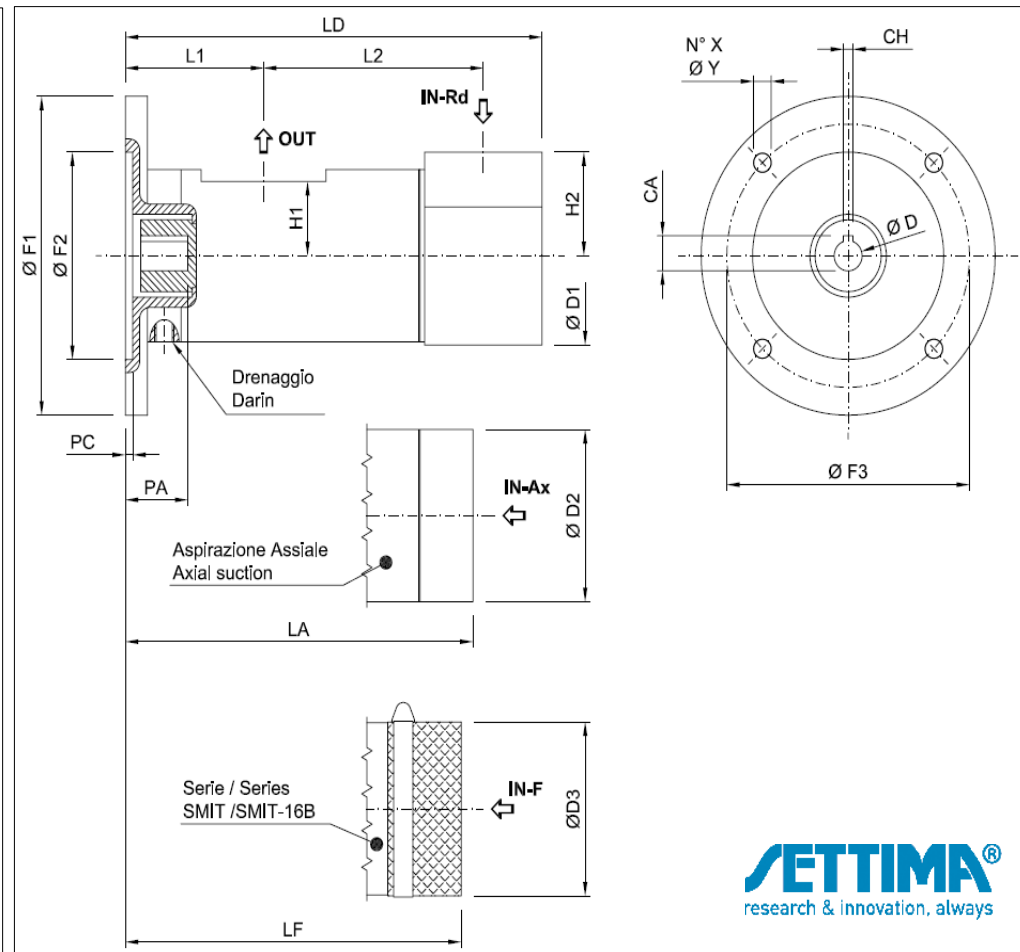
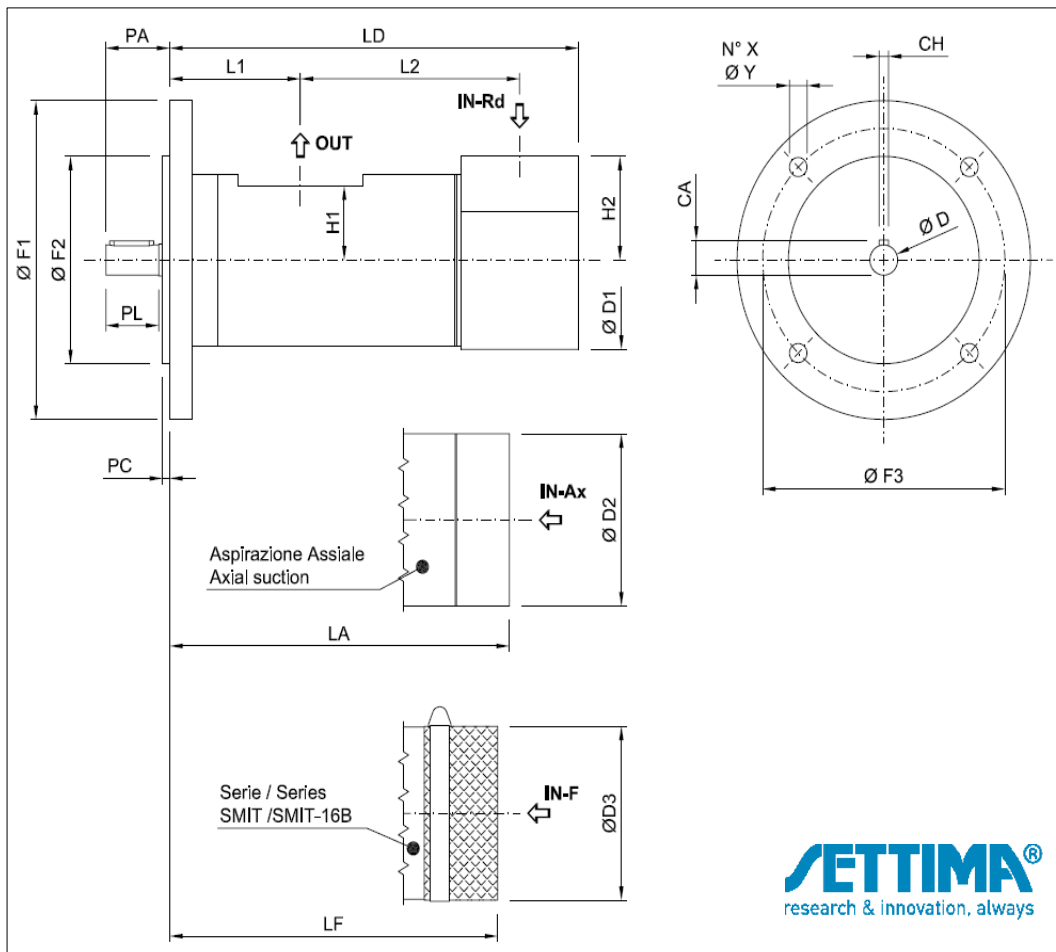
SETTIMA
research & innovation, always



SETTIMA
research & innovation, always

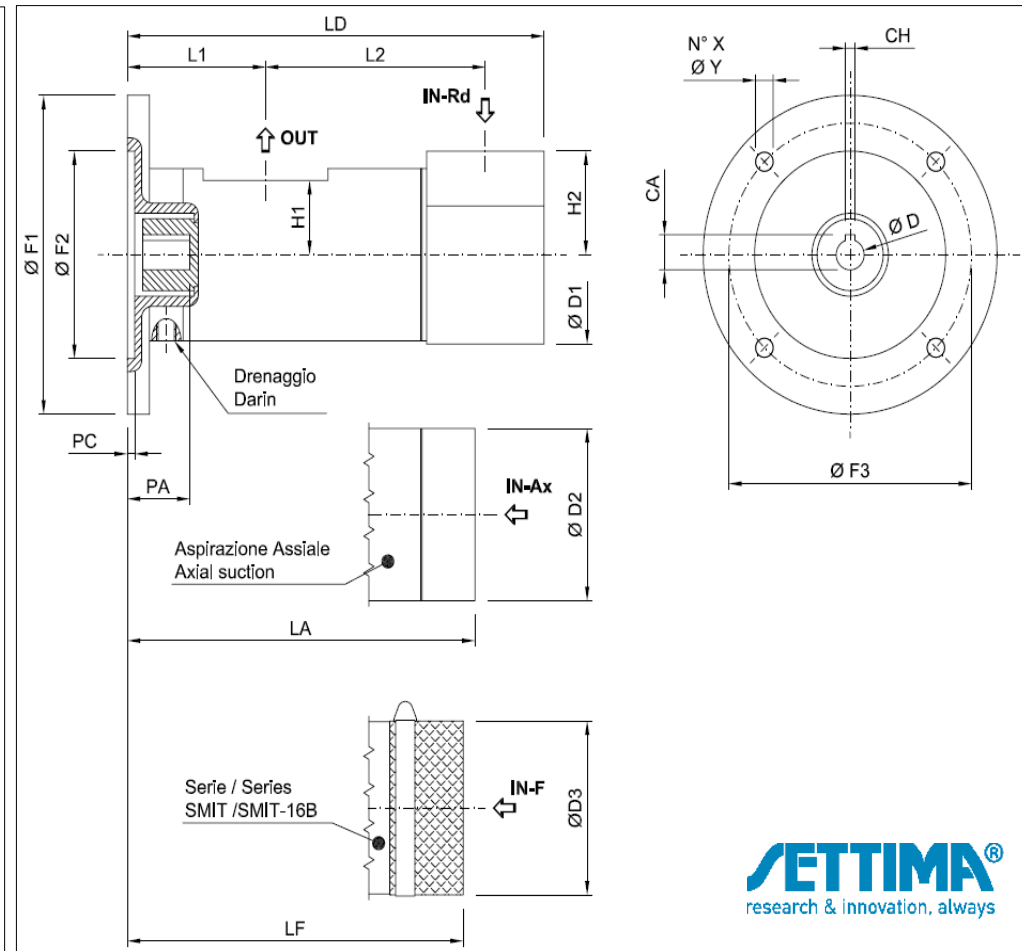
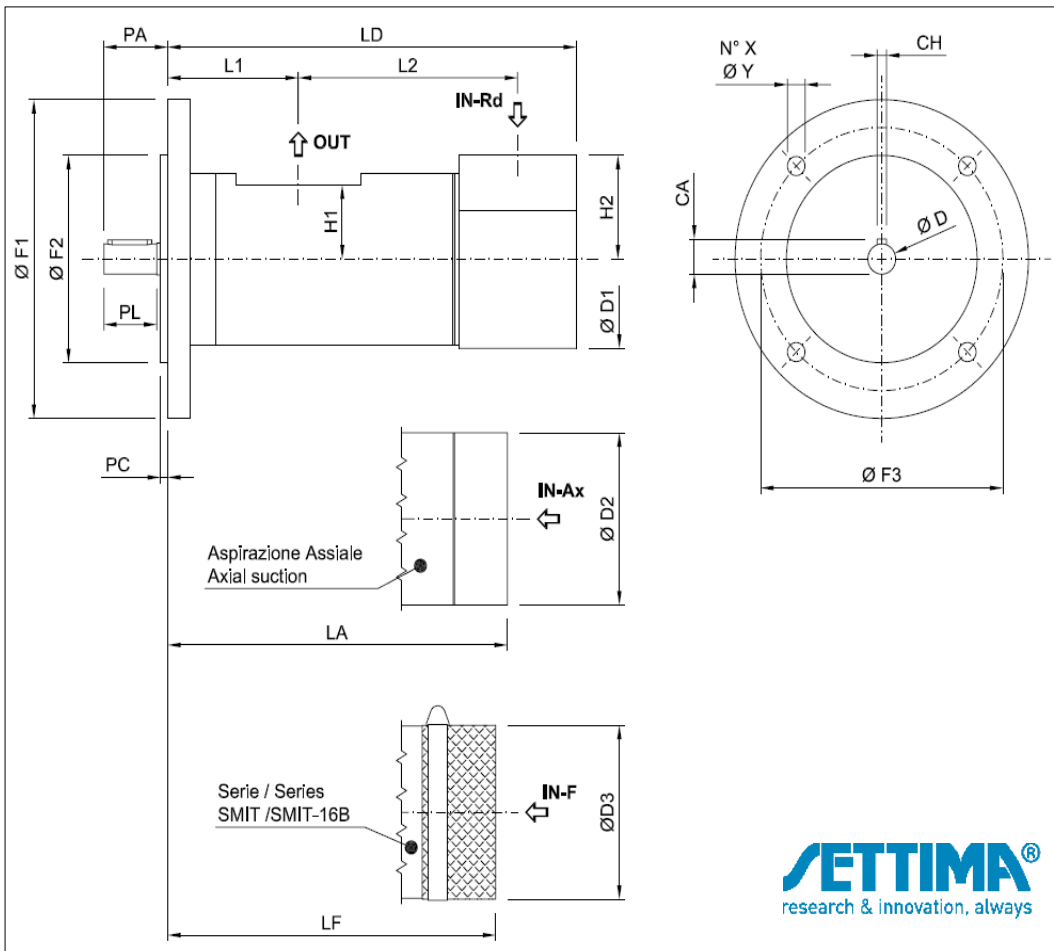
POMPA	L / Min.	F1	F2	F3	X	Y	PC	D	D1	D2	D3	CA	CH	PA	PL	IN-Rd	IN-Ax	OUT	H1	H2	L1	L2	LD	LA	LF
GR25_SMT-16B_TM	25-30	125,0	80,0	103,0	2	11,0	4,5	19,0	65,0	65,0	66,0	21,5	6,0	42,0	36,0	3/4" GAS	3/4" GAS	1/2" GAS	27,5	27,0	111,5	87,0	217,0	217,0	197,5
GR25_SMT-16B_AC14-B5		160,0	110,0	130,0	4	9,5	4,0	14,0	65,0	65,0	66,0	16,2	5,2	32,5		3/4" GAS	3/4" GAS	1/2" GAS	27,5	27,0	73,5	87,0	179,0	179,0	159,5
GR25_SMT-16B_AC19-B5		200,0	130,0	165,0	4	10,5	4,5	19,0	65,0	65,0	66,0	21,9	6,5	42,5		3/4" GAS	3/4" GAS	1/2" GAS	27,5	27,0	76,5	87,0	182,0	182,0	162,5
GR25_SMT	25-30	125,0	80,0	103,0	2	11,0	4,5	19,0	65,0	65,0	66,0	21,5	6,0	42,0	36,0	3/4" GAS	3/4" GAS	1/2" GAS	27,5	27,0	72,5	171,0	262,0	262,0	242,5
GR25_SMT_TM		125,0	80,0	103,0	2	11,0	4,5	19,0	65,0	65,0	66,0	21,5	6,0	42,0	36,0	3/4" GAS	3/4" GAS	1/2" GAS	27,5	27,0	111,5	171,0	301,0	301,0	281,5
GR25_SMT_AC14-B5		160,0	110,0	130,0	4	9,5	4,0	14,0	65,0	65,0	66,0	16,2	5,2	32,5		3/4" GAS	3/4" GAS	1/2" GAS	27,5	27,0	73,5	171,0	263,0	263,0	243,5
GR25_SMT_AC19-B5		200,0	130,0	165,0	4	10,5	4,5	19,0	65,0	65,0	66,0	21,9	6,5	42,5		3/4" GAS	3/4" GAS	1/2" GAS	27,5	27,0	76,5	171,0	266,0	266,0	246,5
GR32_SMT-16B	35-45-55-75	150,0	100,0	125,0	4	11,0	4,0	19,0	96,0	94,0	95,0	21,5	6,0	41,0	35,0	1" 1/4 SAE-3000	1" 1/4 GAS	1" SAE-3000	41,0	55,0	61,0	123,0	218,0	171,0	162,0
GR32_SMT-16B_TM		150,0	100,0	125,0	4	11,0	4,0	19,0	96,0	94,0	95,0	21,5	6,0	41,0	35,0	1" 1/4 SAE-3000	1" 1/4 GAS	1" SAE-3000	41,0	55,0	101,0	123,0	258,0	211,0	202,0
GR32_SMT-16B_AC19-B5		200,0	130,0	165,0	4	12,0	5,0	19,0	96,0	94,0	95,0	21,9	6,5	43,7		1" 1/4 SAE-3000	1" 1/4 GAS	1" SAE-3000	41,0	55,0	84,7	123,0	241,7	194,7	185,7
GR32_SMT-16B_AC24-B5		200,0	130,0	165,0	4	12,0	5,0	24,0	96,0	94,0	95,0	27,3	8,5	52,7		1" 1/4 SAE-3000	1" 1/4 GAS	1" SAE-3000	41,0	55,0	84,7	123,0	241,7	194,7	185,7

POMPE SMT E SMT-16B



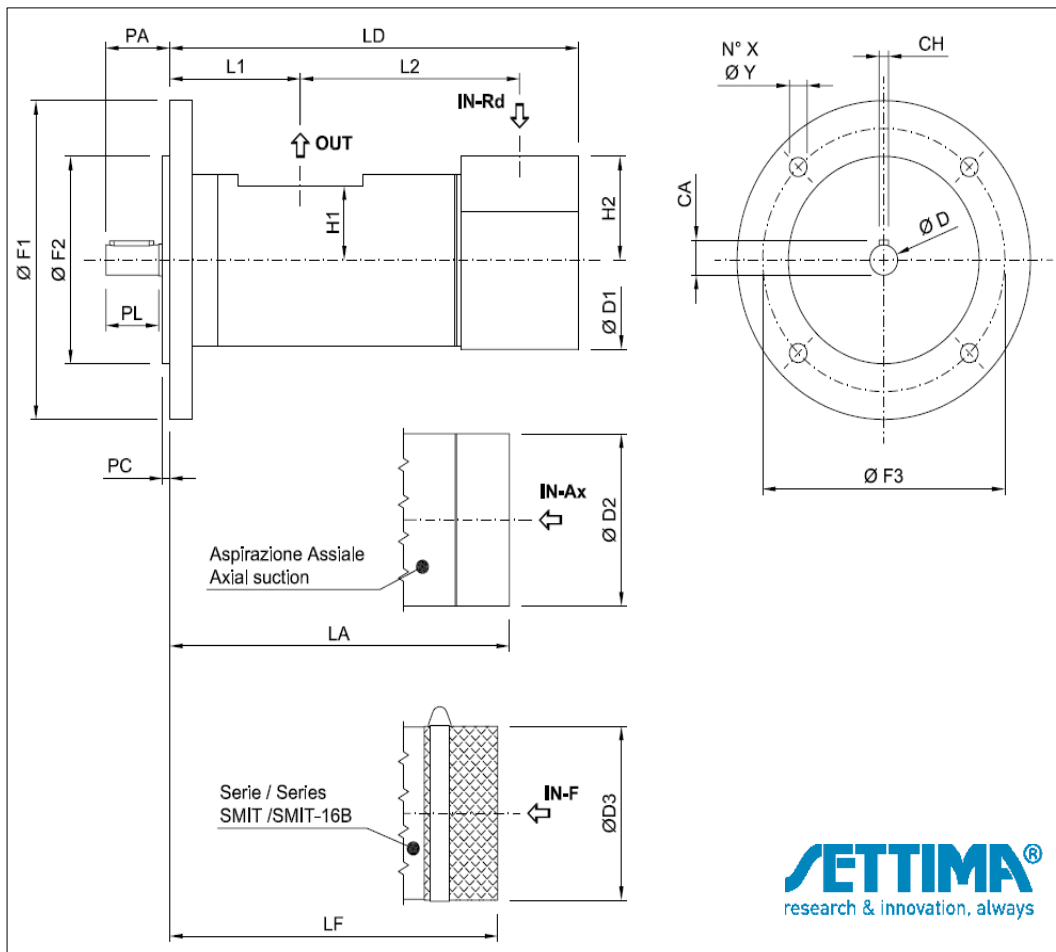
POMPA	L / Min.	F1	F2	F3	X	Y	PC	D	D1	D2	D3	CA	CH	PA	PL	IN-Rd	IN-Ax	OUT	H1	H2	L1	L2	LD	LA	LF	
GR32_SMT	35-45-55-75	150,0	100,0	125,0	4	11,0	4,0	19,0	96,0	94,0	95,0	21,5	6,0	41,0	35,0	1" 1/4 SAE-3000	1" 1/4 GAS	1" SAE-3000	41,0	55,0	69,0	192,0	295,0	248,0	239,0	
GR32_SMT_TM		150,0	100,0	125,0	4	11,0	4,0	19,0	96,0	94,0	95,0	21,5	6,0	41,0	35,0	1" 1/4 SAE-3000	1" 1/4 GAS	1" SAE-3000	41,0	55,0	109,0	192,0	335,0	288,0	279,0	
GR32_SMT_AC19-B5		200,0	130,0	165,0	4	12,0	5,0	19,0	96,0	94,0	95,0	21,9	6,5	43,7			1" 1/4 SAE-3000	1" 1/4 GAS	1" SAE-3000	41,0	55,0	92,7	192,0	318,7	271,7	262,7
GR32_SMT_AC24-B5		200,0	130,0	165,0	4	12,0	5,0	24,0	96,0	94,0	95,0	27,3	8,5	52,7			1" 1/4 SAE-3000	1" 1/4 GAS	1" SAE-3000	41,0	55,0	92,7	192,0	318,7	271,7	262,7
GR40_SMT-16B	100-125-150	188,0	125,0	160,0	4	14,0	4,0	19,0	112,0	108,0	109,0	21,5	6,0	42,5	36,0	1" 1/2 SAE-3000	1" 1/2 GAS	1" 1/4 SAE-3000	46,5	65,0	69,0	149,5	257,5	211,5	203,5	
GR40_SMT-16B_TM		188,0	125,0	160,0	4	14,0	4,0	19,0	112,0	108,0	109,0	21,5	6,0	42,5	36,0	1" 1/2 SAE-3000	1" 1/2 GAS	1" 1/4 SAE-3000	46,5	65,0	110,0	149,5	298,5	252,5	244,5	
GR40_SMT-16B_AC19-B5		200,0	130,0	165,0	4	12,0	5,0	19,0	112,0	108,0	109,0	22,0	6,5	42,5			1" 1/2 SAE-3000	1" 1/2 GAS	1" 1/4 SAE-3000	46,5	65,0	94,0	149,5	282,5	236,5	228,5
GR40_SMT-16B_Ac24-B5		200,0	130,0	165,0	4	12,0	5,0	24,0	112,0	108,0	109,0	27,5	8,5	52,5			1" 1/2 SAE-3000	1" 1/2 GAS	1" 1/4 SAE-3000	46,5	65,0	94,0	149,5	282,5	236,5	228,5
GR40_SMT-16B_Ac28-B5		250,0	180,0	215,0	4	14,0	6,0	28,0	112,0	108,0	109,0	31,5	8,5	64,0			1" 1/2 SAE-3000	1" 1/2 GAS	1" 1/4 SAE-3000	46,5	65,0	104,5	149,5	293,0	247,0	239,0
GR40_SMT		188,0	125,0	160,0	4	14,0	4,0	19,0	112,0	108,0	109,0	21,5	6,0	39,5	34,0	1" 1/2 SAE-3000	1" 1/2 GAS	1" 1/4 SAE-3000	46,5	65,0	84,5	224,5	348,0	302,0	294,0	
GR40_SMT_TM		188,0	125,0	160,0	4	14,0	4,0	19,0	112,0	108,0	109,0	21,5	6,0	41,5	35,0	1" 1/2 SAE-3000	1" 1/2 GAS	1" 1/4 SAE-3000	46,5	65,0	125,5	224,5	389,0	343,0	335,0	

POMPE SMT E SMT-16B

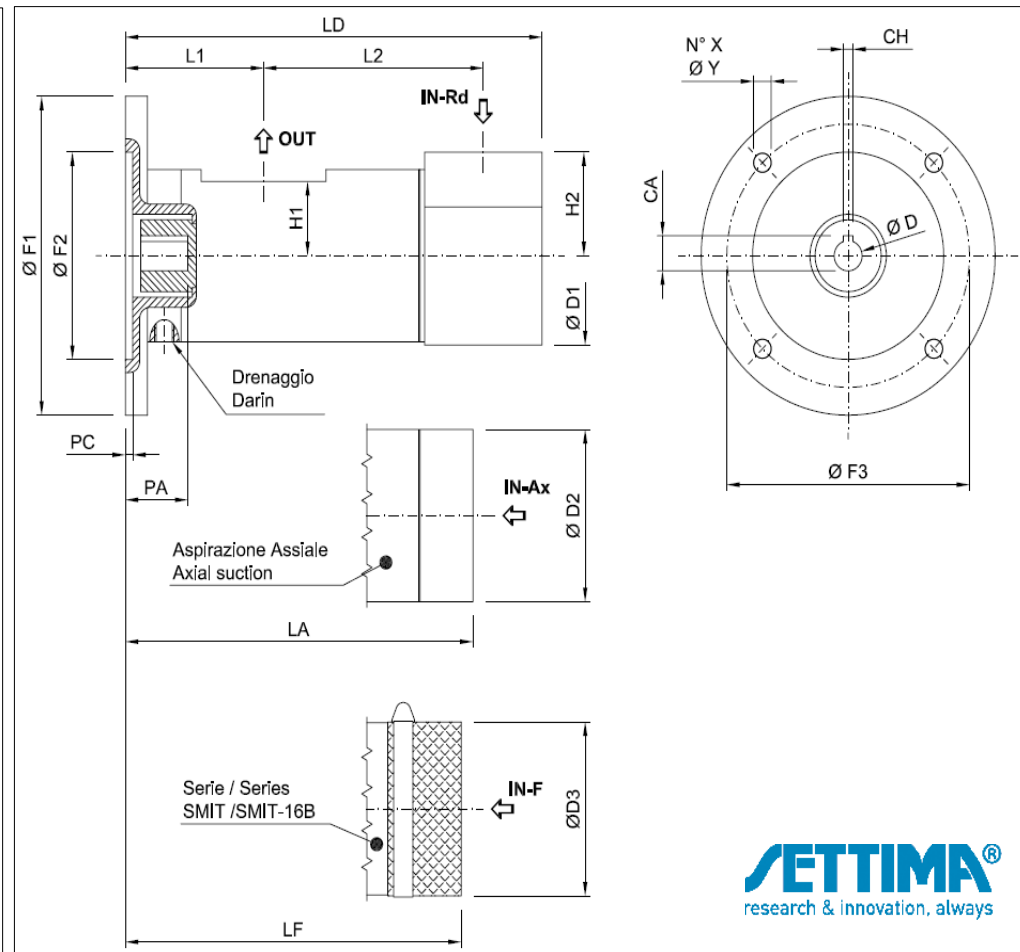


POMPA	L / Min.	F1	F2	F3	X	Y	PC	D	D1	D2	D3	CA	CH	PA	PL	IN-Rd	IN-Ax	OUT	H1	H2	L1	L2	LD	LA	LF
GR40_SMT_AC19-B5	100-125-150	200,0	130,0	165,0	4	12,0	5,0	19,0	112,0	108,0	109,0	22,0	6,5	42,5		1" 1/2 SAE-3000	1" 1/2 GAS	1" 1/4 SAE-3000	46,5	65,0	109,5	224,5	373,0	327,0	319,0
GR40_SMT_AC24-B5		200,0	130,0	165,0	4	12,0	5,0	24,0	112,0	108,0	109,0	27,5	8,5	52,5		1" 1/2 SAE-3000	1" 1/2 GAS	1" 1/4 SAE-3000	46,5	65,0	109,5	224,5	373,0	327,0	319,0
GR40_SMT_AC28-B5		250,0	180,0	215,0	4	14,0	6,0	28,0	112,0	108,0	109,0	31,5	8,5	64,0		1" 1/2 SAE-3000	1" 1/2 GAS	1" 1/4 SAE-3000	46,5	65,0	120,0	224,5	383,5	337,5	329,5
GR45_SMT-16B	180-210	188,0	125,0	160,0	4	14,0	4,0	32,0	125,0	122,5	123,5	35,0	10,0	64,5	55,0	2" SAE-3000	2" GAS	1" 1/2 SAE-3000	51,5	85,0	75,4	190,1	310,5	258,5	240,5
GR45_SMT-16B_TM		188,0	125,0	160,0	4	14,0	4,0	32,0	125,0	122,5	123,5	35,0	10,0	64,5	55,0	2" SAE-3000	2" GAS	1" 1/2 SAE-3000	51,5	85,0	116,4	190,1	351,5	299,5	281,5
GR45_SMT-16B_AC28-B5		250,0	180,0	215,0	4	14,0	5,0	28,0	125,0	122,5	123,5	31,5	8,5	63,5		2" SAE-3000	2" GAS	1" 1/2 SAE-3000	51,5	85,0	106,4	190,1	341,5	289,5	271,5
GR45_SMT-16B_AC38-B5		300,0	230,0	265,0	4	15,0	6,0	38,0	125,0	122,5	123,5	42,0	10,5	81,0		2" SAE-3000	2" GAS	1" 1/2 SAE-3000	51,5	85,0	119,9	190,1	355,0	303,0	285,0
GR45_SMT	180-210	188,0	125,0	160,0	4	14,0	4,0	32,0	125,0	122,5	123,5	35,0	10,0	64,5	55,0	2" SAE-3000	2" GAS	1" 1/2 SAE-3000	51,5	85,0	89,0	248,0	382,0	330,0	312,0
GR45_SMT_TM		188,0	125,0	160,0	4	14,0	4,0	32,0	125,0	122,5	123,5	35,0	10,0	64,5	55,0	2" SAE-3000	2" GAS	1" 1/2 SAE-3000	51,5	85,0	130,0	248,0	423,0	371,0	353,0
GR45_SMT_AC28-B5		250,0	180,0	215,0	4	14,0	5,0	28,0	125,0	122,5	123,5	31,5	8,5	63,5		2" SAE-3000	2" GAS	1" 1/2 SAE-3000	51,5	85,0	120,0	248,0	413,0	361,0	343,0
GR45_SMT_AC38-B5		300,0	230,0	265,0	4	15,0	6,0	38,0	125,0	122,5	123,5	42,0	10,5	81,0		2" SAE-3000	2" GAS	1" 1/2 SAE-3000	51,5	85,0	133,5	248,0	426,5	374,5	356,5

POMPE SMT E SMT-16B



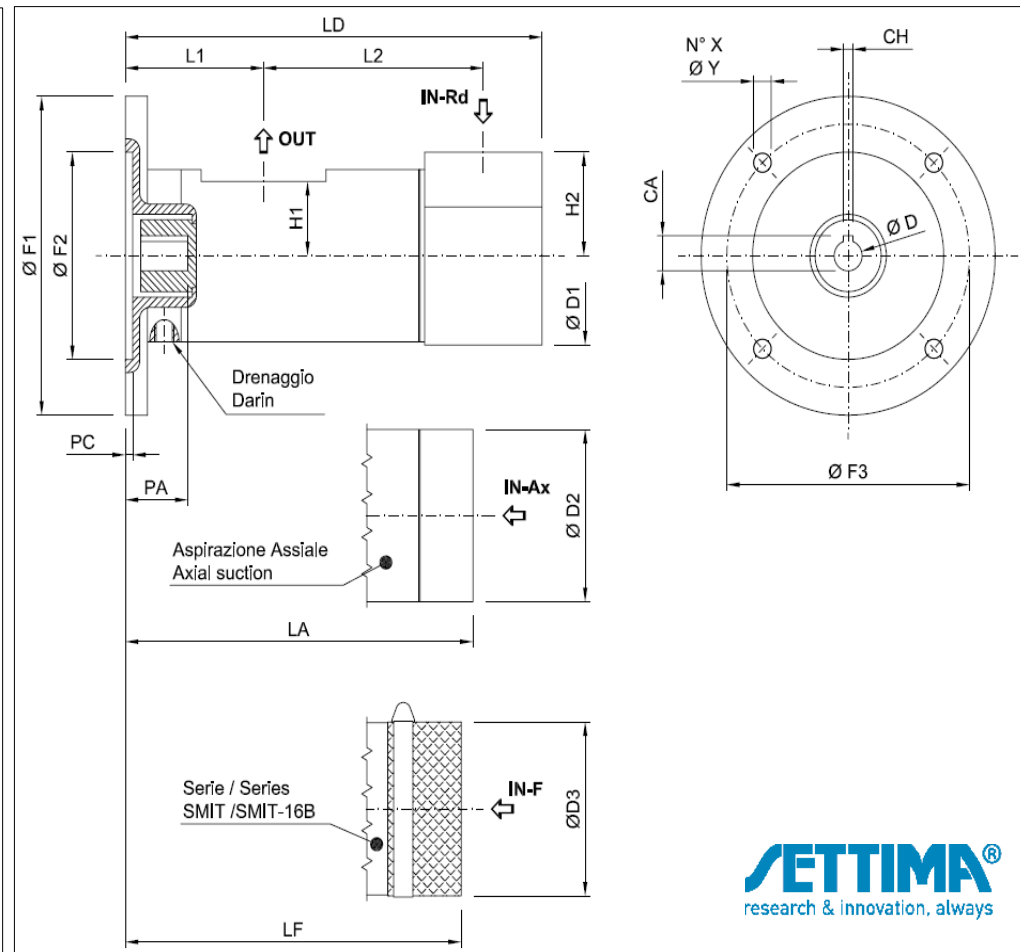
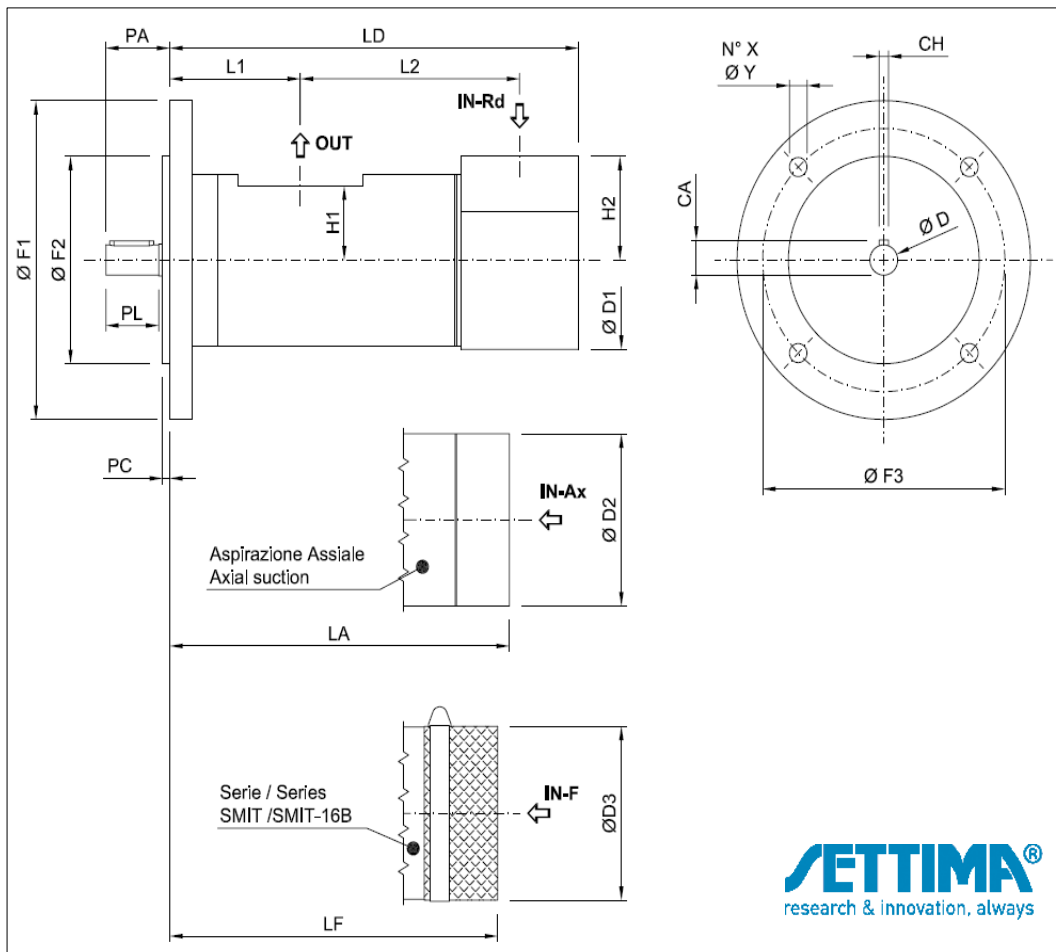
SETTIMA
research & innovation, always



SETTIMA
research & innovation, always

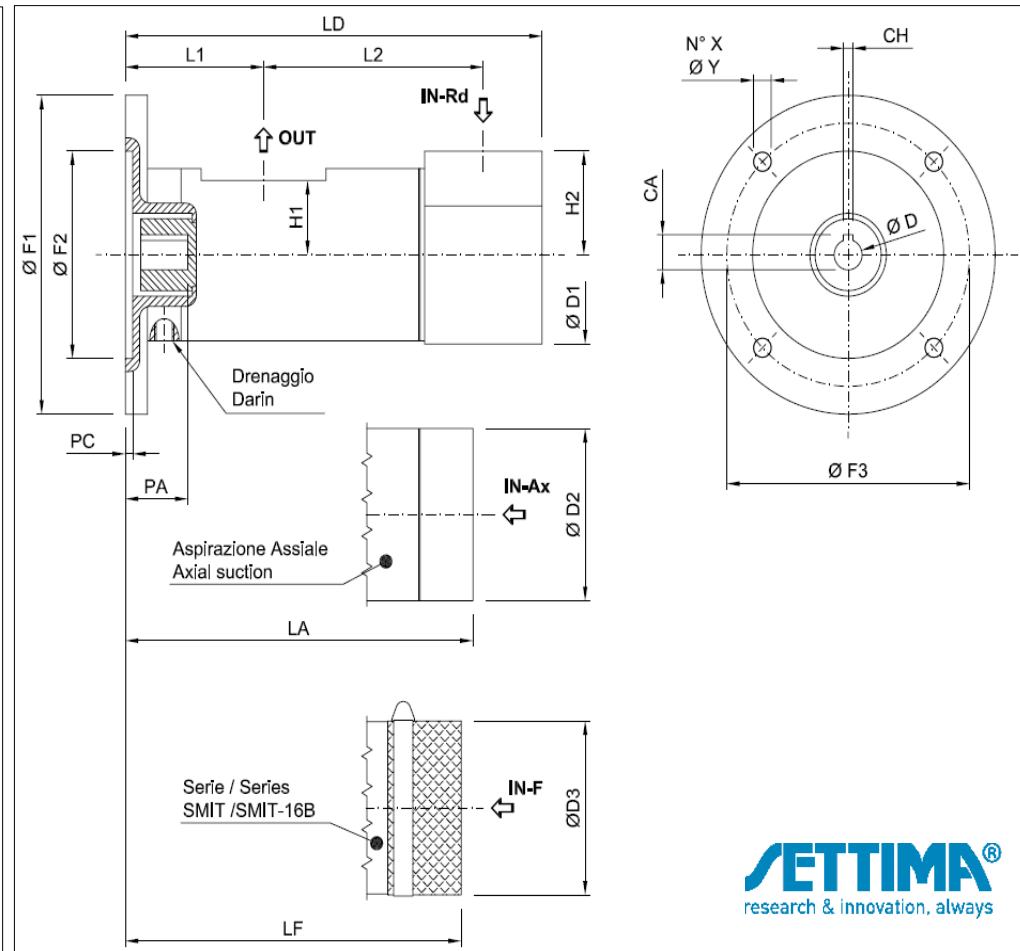
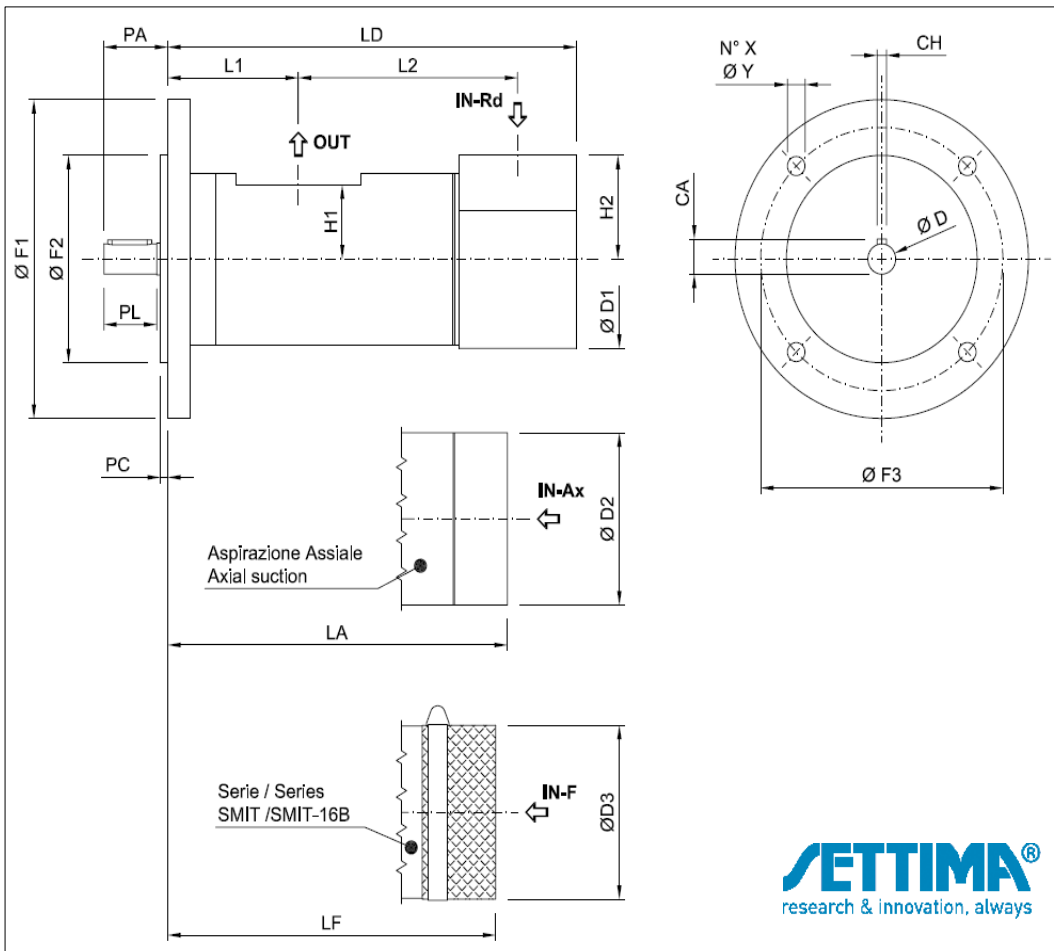
POMPA	L / Min.	F1	F2	F3	X	Y	PC	D	D1	D2	D3	CA	CH	PA	PL	IN-Rd	IN-Ax	OUT	H1	H2	L1	L2	LD	LA	LF
GR55_SMT-16B	250-300-330-380	235,0	160,0	200,0	4	18,0	4,0	32,0	148,0	142,5	143,5	35,0	10,0	64,5	55,0	2" 1/2 SAE-3000	2" 1/2 GAS	2" SAE-3000	55,0	95,0	83,5	202,5	338,0	274,0	284,0
GR55_SMT-16B_TM		235,0	160,0	200,0	4	18,0	4,0	32,0	148,0	142,5	143,5	35,0	10,0	65,0	55,0	2" 1/2 SAE-3000	2" 1/2 GAS	2" SAE-3000	55,0	95,0	126,0	202,5	380,5	316,5	326,5
GR55_SMT-16B_AC28-B5		250,0	180,0	215,0	4	14,0	6,0	28,0	148,0	142,5	143,5	31,5	8,5	62,5		2" 1/2 SAE-3000	2" 1/2 GAS	2" SAE-3000	55,0	95,0	108,5	202,5	363,0	299,0	309,0
GR55_SMT-16B_AC38-B5		300,0	230,0	265,0	4	15,0	6,0	38,0	148,0	142,5	143,5	42,0	10,5	82,5		2" 1/2 SAE-3000	2" 1/2 GAS	2" SAE-3000	55,0	95,0	128,5	202,5	383,0	319,0	329,0
GR55_SMT	250-300-330-380	235,0	160,0	200,0	4	18,0	4,0	32,0	148,0	142,5	143,5	35,0	10,0	61,5	55,0	2" 1/2 SAE-3000	2" 1/2 GAS	2" SAE-3000	55,0	95,0	100,5	297,0	449,5	385,5	395,5
GR55_SMT_TM		235,0	160,0	200,0	4	18,0	4,0	32,0	148,0	142,5	143,5	35,0	10,0	64,5	55,0	2" 1/2 SAE-3000	2" 1/2 GAS	2" SAE-3000	55,0	95,0	143,0	297,0	492,0	428,0	438,0
GR55_SMT_AC28-B5		250,0	180,0	215,0	4	14,0	6,0	28,0	148,0	142,5	143,5	31,5	8,5	62,5		2" 1/2 SAE-3000	2" 1/2 GAS	2" SAE-3000	55,0	95,0	125,5	297,0	474,5	410,5	420,5
GR55_SMT_AC38-B5		300,0	230,0	265,0	4	15,0	6,0	38,0	148,0	142,5	143,5	42,0	10,5	82,5		2" 1/2 SAE-3000	2" 1/2 GAS	2" SAE-3000	55,0	95,0	145,5	297,0	494,5	430,5	440,5
GR60_SMT-16B	440-500	235,0	160,0	200,0	4	18,0	4,0	32,0	160,0	155,0	154,0	35,0	10,0	65,5	55,0	3" SAE-3000	3" GAS	2" 1/2 SAE-3000	63,0	105,0	83,5	228,5	374,5	292,5	299,5
GR60_SMT-16B_TM		235,0	160,0	200,0	4	18,0	4,0	32,0	160,0	155,0	154,0	35,0	10,0	65,5	55,0	3" SAE-3000	3" GAS	2" 1/2 SAE-3000	63,0	105,0	126,0	228,5	417,0	335,0	342,0
GR60_SMT-16B_AC28-B5		250,0	180,0	215,0	4	14,0	6,0	28,0	160,0	155,0	154,0	31,5	8,5	65,0		3" SAE-3000	3" GAS	2" 1/2 SAE-3000	63,0	105,0	108,5	228,5	399,5	317,5	324,5

POMPE SMT E SMT-16B



POMPA	L / Min.	F1	F2	F3	X	Y	PC	D	D1	D2	D3	CA	CH	PA	PL	IN-Rd	IN-Ax	OUT	H1	H2	L1	L2	LD	LA	LF
GR60_SMT-16B_AC38-B5		300,0	230,0	265,0	4	14,5	6,0	38,0	160,0	155,0	154,0	41,8	10,5	83,0		3" SAE-3000	3" GAS	2" 1/2 SAE-3000	63,0	105,0	128,5	228,5	419,5	337,5	344,5
GR60_SMT	440-500	235,0	160,0	200,0	4	18,0	4,0	32,0	160,0	155,0	154,0	35,0	10,0	65,5	55,0	3" SAE-3000	3" GAS	2" 1/2 SAE-3000	63,0	105,0	101,0	342,0	505,5	423,5	430,5
GR60_SMT_TM		235,0	160,0	200,0	4	18,0	4,0	32,0	160,0	155,0	154,0	35,0	10,0	65,5	55,0	3" SAE-3000	3" GAS	2" 1/2 SAE-3000	63,0	105,0	143,5	342,0	548,0	466,0	473,0
GR60_SMT_AC28-B5		250,0	180,0	215,0	4	14,0	6,0	28,0	160,0	155,0	154,0	31,5	8,5	65,0		3" SAE-3000	3" GAS	2" 1/2 SAE-3000	63,0	105,0	126,0	342,0	530,5	448,5	455,5
GR60_SMT_AC38-B5		300,0	230,0	265,0	4	14,5	6,0	38,0	160,0	155,0	154,0	41,8	10,5	83,0		3" SAE-3000	3" GAS	2" 1/2 SAE-3000	63,0	105,0	146,0	342,0	550,5	468,5	475,5
GR70_SMT-16B	600-660-800	300,0	200,0	250,0	4	22,0	4,0	32,0	180,0	180,0	179,0	35,0	10,0	65,5	55,0	3" 1/2 SAE-3000	3" 1/2 GAS	3" SAE-3000	73,0	110,0	94,5	279,0	441,5	365,5	379,5
GR70_SMT-16B_TM		300,0	200,0	250,0	4	22,0	4,0	32,0	180,0	180,0	179,0	35,0	10,0	65,5	55,0	3" 1/2 SAE-3000	3" 1/2 GAS	3" SAE-3000	73,0	110,0	136,0	279,0	483,0	407,0	421,0
GR70_SMT-16B_AC28-B5		250,0	180,0	215,0	4	14,0	5,0	28,0	180,0	180,0	179,0	31,5	8,5	63,1		3" 1/2 SAE-3000	3" 1/2 GAS	3" SAE-3000	73,0	110,0	118,3	279,0	465,3	389,3	403,3
GR70_SMT-16B_AC38-B5		300,0	230,0	265,0	4	14,5	6,0	38,0	180,0	180,0	179,0	41,8	10,5	87,3		3" 1/2 SAE-3000	3" 1/2 GAS	3" SAE-3000	73,0	110,0	139,5	279,0	486,5	410,5	424,5
GR70_SMT	600-660-800	300,0	200,0	250,0	4	22,0	4,0	32,0	180,0	180,0	179,0	35,0	10,0	60,5	55,0	3" 1/2 SAE-3000	3" 1/2 GAS	3" SAE-3000	73,0	110,0	115,5	422,0	605,5	529,5	543,5
GR70_SMT_TM		300,0	200,0	250,0	4	22,0	4,0	32,0	180,0	180,0	179,0	35,0	10,0	65,5	55,0	3" 1/2 SAE-3000	3" 1/2 GAS	3" SAE-3000	73,0	110,0	157,0	422,0	647,0	571,0	585,0

POMPE SMT E SMT-16B



POMPA	L / Min.	F1	F2	F3	X	Y	PC	D	D1	D2	D3	CA	CH	PA	PL	IN-Rd	IN-Ax	OUT	H1	H2	L1	L2	LD	LA	LF
GR70_SMT_AC28-B5		250,0	180,0	215,0	4	14,0	5,0	28,0	180,0	180,0	179,0	31,5	8,5	63,1		3" 1/2 SAE-3000	3" 1/2 GAS	3" SAE-3000	73,0	110,0	139,3	422,0	629,3	553,3	567,3
GR70_SMT_AC38-B5		300,0	230,0	265,0	4	14,5	6,0	38,0	180,0	180,0	179,0	41,8	10,5	87,3		3" 1/2 SAE-3000	3" 1/2 GAS	3" SAE-3000	73,0	110,0	160,5	422,0	650,5	574,5	588,5
GR80_SMT-16B	1000-1200	300,0	200,0	250,0	4	22,0	4,0	38,0	210,0	210,0	204,0	41,0	10,0	75,0	60,0	4" SAE-3000	4" GAS	3" SAE-3000	83,0	125,0	150,0	294,5	519,0	468,0	452,0
GR80_SMT-16B_TM		300,0	200,0	250,0	4	22,0	6,0	38,0	210,0	210,0	204,0	41,0	10,0	75,0	60,0	4" SAE-3000	4" GAS	3" SAE-3000	83,0	125,0	203,0	294,5	572,0	521,0	505,0
GR80_SMT	1000-1200	300,0	200,0	250,0	4	22,0	4,0	38,0	210,0	210,0	204,0	41,0	10,0	75,0	60,0	4" SAE-3000	4" GAS	3" SAE-3000	83,0	125,0	150,0	470,5	695,0	644,0	628,0
GR80_SMT_TM		300,0	200,0	250,0	4	22,0	6,0	38,0	210,0	210,0	204,0	41,0	10,0	75,0	60,0	4" SAE-3000	4" GAS	3" SAE-3000	83,0	125,0	203,0	470,5	748,0	697,0	681,0
GR90_SMT-16B	1500-1700-2000-2200	350,0	250,0	300,0	4	26,0	5,0	55,0	250,0	250,0	251,0	59,0	16,0	118,0	110,0	5" SAE-3000	5" SAE-3000	4" SAE-3000	100,0	140,0	256,0	525,0	881,0	816,0	721,0
GR90_SMT-16B_TM		350,0	250,0	300,0	4	26,0	5,0	55,0	250,0	250,0	251,0	59,0	16,0	118,0	110,0	5" SAE-3000	5" SAE-3000	4" SAE-3000	100,0	140,0	256,0	525,0	881,0	816,0	721,0
GR110_SMT-16B	2300-2500-2800-3200	350,0	250,0	300,0	4	26,0	5,0	55,0	250,0	250,0	251,0	59,0	16,0	118,0	110,0	5" SAE-3000	5" SAE-3000	4" SAE-3000	100,0	140,0	287,0	489,0	876,0	811,0	716,0
GR110_SMT-16B_TM		350,0	250,0	300,0	4	26,0	5,0	55,0	250,0	250,0	251,0	59,0	16,0	118,0	110,0	5" SAE-3000	5" SAE-3000	4" SAE-3000	100,0	140,0	287,0	489,0	876,0	811,0	716,0